



BARACUDA[®]
MX8[™]

Important Information

WARNING

RISK OF SUCTION ENTRAPMENT HAZARD, WHICH, IF NOT AVOIDED CAN RESULT IN SERIOUS INJURY OR DEATH. Ensure that your vacuum suction fittings installed in your pool for connection of your suction-side pool cleaner are certified as being compliant with applicable safety standards such as IAPMO SPS 4. Do not block the suction fittings with any part or your body. Do not expose your hair, loose clothing, jewelry, etc. to any suction outlet fittings in the pool/spa.



Read owner's manual completely before operating the cleaner.



Remove cleaner before entering the pool.



Do not operate outside of the pool.



Do not let children play with cleaner.

Notice for Vinyl Liner Pools: Before installing your pool cleaner, examine the interior of your pool carefully. If the vinyl liner is brittle or has stones, wrinkles, roots or metal corrosion in contact with the underside of the liner, or has damage to the base material or supporting walls, do not install the cleaner before having a qualified professional perform the necessary repairs or liner replacement. **Zodiac Pool Systems, Inc. (Zodiac) will not be responsible for liner damage caused by a cleaner which is in disrepair, pattern removal from a vinyl liner, or a cleaner used in a pool having an aged or deteriorated liner.** Please see Limited Warranty.

- To help prevent suction entrapment accidents, wall vacuum fittings should have a safety vac lock installed. Contact your builder or retail pool professional for details.
- Clean the skimmer basket, pump basket and pool filter before installing the cleaner and on a regular basis thereafter.
- Always disconnect the cleaner from the pool wall or skimmer before cleaning or backwashing the pool filter. After cleaning or backwashing, let the filtration system run for at least five (5) minutes before re-connecting the cleaner.
- Remove the cleaner from the pool before chemical or shock treatments. Wait a minimum of four (4) hours after super chlorination before re-installing the cleaner.

To ensure prompt warranty service, should it be required, please:

- Complete and return the Zodiac® Warranty Card.
- Record your purchase information.
- Attach a copy of your purchase receipt to this document.

Date of Purchase: _____ Purchased From: _____

Serial Number (located under the hood) _____

If service is required, simply present your manual with the attached receipt at any Zodiac warranty center.

For customer service or support:

Zodiac Pool Systems, Inc.

2620 Commerce Way, Vista, CA 92081-8438

1-800-822-7933

Introduction

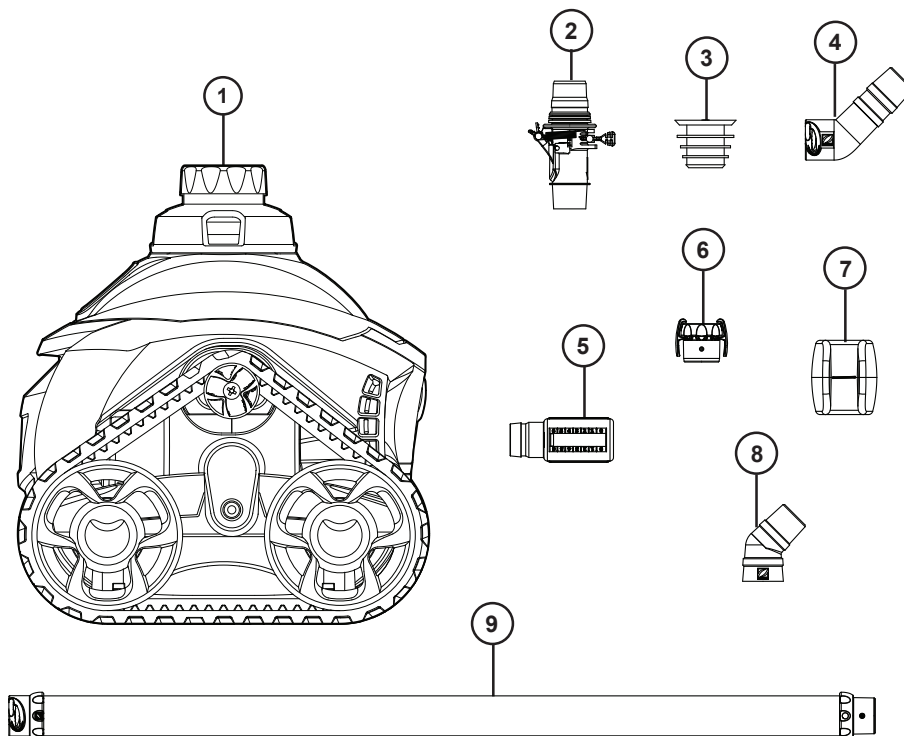
Congratulations on the purchase of your new Baracuda® MX™ 8 automatic pool cleaner. Built with proven Baracuda technology, the Baracuda MX 8 is designed and manufactured for easy installation, and years of carefree operation. Before installing the cleaner, please take a few moments to become familiar with its components and to review the items listed under **Important Information**.

Like most mechanical devices, the Baracuda MX 8 requires periodic adjustments, routine maintenance, and the replacement of certain hardworking parts. Be sure to have the Baracuda MX 8 checked occasionally by your local Baracuda dealer or service center.

Always insist on genuine Zodiac® replacement parts. Non-Zodiac parts are not made to our specifications. They may have an adverse effect on the operation of your Baracuda MX 8 or may even damage it.

Baracuda MX 8 Complete Cleaner

1. Cleaner Body
2. Flowkeeper™ Valve
3. Valve Cuff
4. Twist-Lock 45 Degree Elbow Extended
5. Flow Gauge
6. Quick Connector
7. Hose Float
8. 45 Degree Elbow
9. Twist-Lock Hose Section



Installation

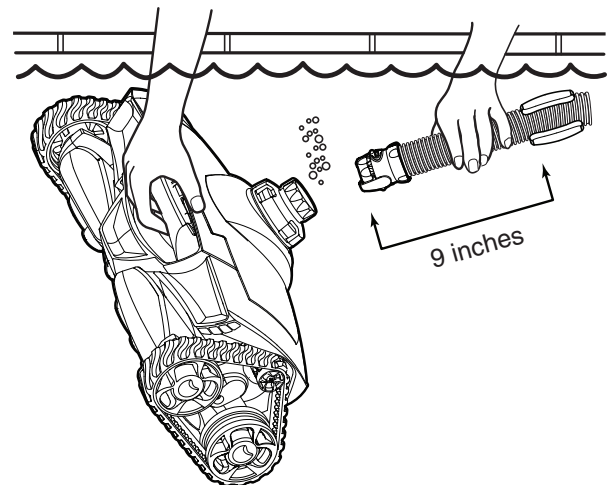
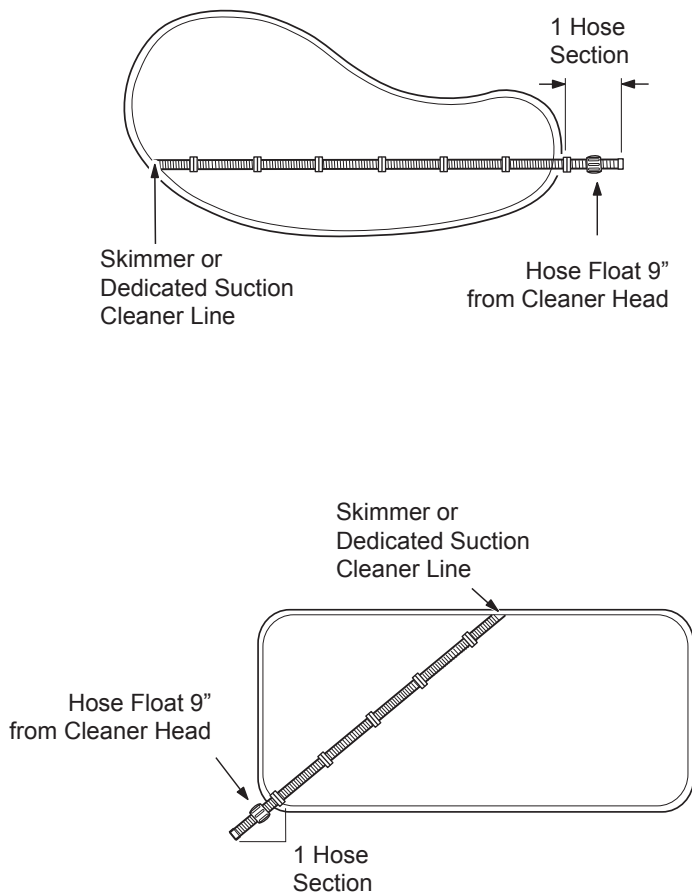
Prepare the Pool

1. Manually vacuum the pool, and make sure the pool filter and pump basket are clean.
2. Close the pool main drain line.
3. Aim the return line fittings down.

Assemble the Hose

The hose uses easy twist-lock connectors. Push and twist the connector on each hose section until they lock into position with clicking sound. The hose cuffs have three (3) connection positions. Any of the three (3) positions are sufficient for an air-tight seal.

1. Connect enough hose to reach the farthest point of the pool and then add one (1) more section.
2. Position the hose float on the first hose section, about nine (9) inches from the cleaner head.
3. Twist lock the quick connector on the end of the hose where the head will be connected.



Connect the Hose

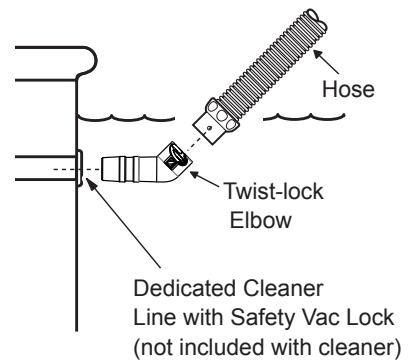
WARNING

RISK OF SUCTION ENTRAPMENT HAZARD, WHICH, IF NOT AVOIDED CAN RESULT IN SERIOUS INJURY OR DEATH. Ensure that your vacuum suction fittings installed in your pool for connection of your suction-side pool cleaner are certified as being compliant with applicable safety standards such as IAPMO SPS 4. Do not block the suction fittings with any part or your body. Do not expose your hair, loose clothing, jewelry, etc. to any suction outlet fittings or hose ends in the pool/spa.

Turn on the filtration system and fill the hose with water by placing the end in front of a return inlet until it is flooded. Turn off the pump.

To connect to a dedicated suction line:

1. Twist lock the male end of the hose into the large end of the 45° elbow.
2. Connect the elbow to the safety vac wall fitting.
3. Angle the elbow upward towards the water surface.



To connect to a skimmer:

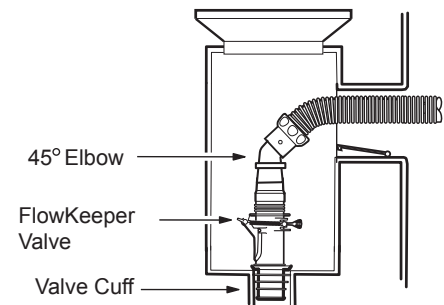
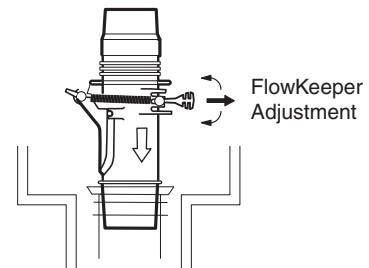
The FlowKeeper™ valve must always be used in single skimmer installations. The valve regulates flow to ensure the pool pump and cleaner run properly. It is pre-set at the factory to optimize the performance of the cleaner, but offers three (3) settings to adjust the flow.

The lower the setting number, the lower the flow. To adjust, pull the handle and move setting up or down. The red tab can be used to open the valve and stop the cleaner.

If the pool has more than one skimmer, connect the hose to the one closest to the pump.

The parts used to connect the hose, and the sequence in which they are installed depends on the type of skimmer.

1. Remove the skimmer basket.
2. Insert the valve cuff and connect the FlowKeeper with the arrow pointing down towards the skimmer pipe.
3. Choose the fitting combination that best suits the skimmer to complete the connection.

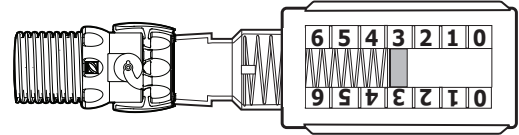


Test and Adjust for Proper Flow

Disconnect the cleaner head and attach the Flow Gauge. Keep the Flow Gauge under water and have someone turn on the pump.

Verify that the red indicator in the gauge (viewed from the side) is at the Number 3 setting.

If necessary, use the valves in the pool equipment area to adjust the flow.



- **For skimmer connections on pools with one skimmer,** flow is automatically regulated by the FlowKeeper™ Valve. The red indicator should be at the proper setting.
- **For skimmer connections on pools with more than one skimmer,** leave the valve for the skimmer connected to the hose open and slowly close the other until the proper setting is reached.
- **For dedicated suction line connections,** leave the vacuum line open to the cleaner and slowly close the skimmer line until the flow is at the proper setting.

If flow is in the low range (0-2):

- Check and clean the pool filter and baskets if necessary.
- Verify that valves controlling the suction lines are in the correct position.

If flow is in the high range (4-6):

- Verify that valves controlling the suction lines are in the correct position.
- Lower the flow setting on the FlowKeeper Valve.

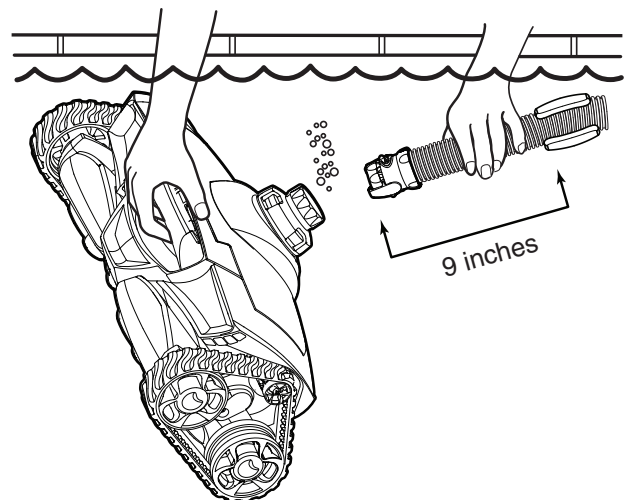
Connect the Cleaner

⚠ WARNING

To avoid serious injury, make sure to turn off the suction pump that is responsible for the pool cleaner operation. Do not expose your hair, loose clothing, jewelry, etc. to the open end of the hose.

Turn off the pump. Keeping the hose underwater, remove the Flow Gauge.

1. Make sure to position the hose float on the first hose section, about nine (9) inches from the cleaner head.
2. Submerge the cleaner and flood it with water.
3. When bubbles stop coming from the cleaner, connect the hose by pushing the Quick Connector onto the cleaner.
4. Allow the cleaner to sink to the bottom of the pool.
5. Turn on the pool pump and begin cleaning.



Operation and Routine Maintenance

The Baracuda® MX™ 8 cycles on/off with the pool filtration pump, vacuuming and cleaning all surfaces randomly throughout the pool. The climbing ability of the cleaner is dependent on the pool's shape and available water flow. If Baracuda MX 8 is not climbing your walls, ensure the flow is correct by using the Flow Gauge. Also, ensure the pool's surface is not covered in algae as this slippery surface will affect the cleaner's traction.

During each coverage pattern cycle, the cleaner travels both forward and backwards, and pivots to the right and left. The power scrubbers underneath the cleaner create down force for climbing and stability as well as directing debris into the cleaner mouth.

Emptying the Pump Basket

For the Baracuda MX 8 to operate at optimum efficiency, empty the pump basket regularly. The more debris in the pool, the more often the pump basket should be cleared. Zodiac® offers an in-line leaf canister which will trap solid debris before it enters the pump basket. See your Zodiac dealer for details.

Backwashing the Pool Filter

Always disconnect the Baracuda MX 8 from the pool wall before cleaning or backwashing the pool filter. After cleaning or backwashing, let the filtration system run for at least five (5) minutes to flush out the suction lines before re-connecting the cleaner.

Adding Chemicals to the Pool

Remove the cleaner from the pool for at least four (4) hours when adding chemicals.

Storage and Winterizing

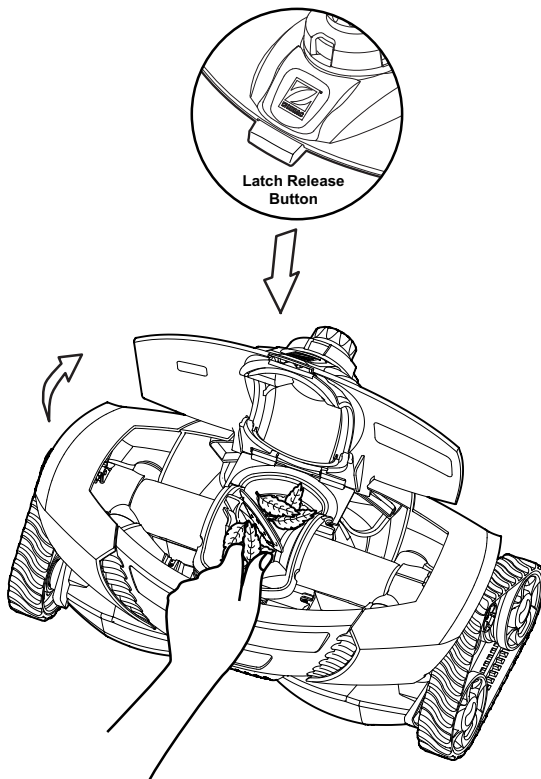
Never store the Baracuda MX 8 in direct sunlight. When storing for the winter, drain out all the water (freeze damage is not covered by the warranty). Remove all connectors and adapters from the dedicated suction line or skimmer. When storing the cleaner, even for short times, do not coil the hose as the hose may develop a memory which can affect cleaner performance. Disassemble the hoses and layout flat.

Remove Debris from Engine

WARNING

To avoid serious injury, make sure that the cleaner is disconnected from the hose and the suction pump used for the cleaner is turned off prior to starting this operation.

1. Push the latch release button on the top of the cleaner.
2. Rotate the top assembly back until it clicks into an upward position.
3. Look into engine and remove debris that is present.
4. If needed, slowly push engine paddles forward and/or backwards to move stuck debris to an accessible position then remove it. When moving the engine paddles, make sure the cleaner tracks are allowed to move freely as they will turn as the engine paddles rotate.
5. Close engine top and ensure the latch clicks in place.



Cleaner Vacuum Modes

The Baracuda MX8 Pool Cleaner is designed with two (2) vacuum options:

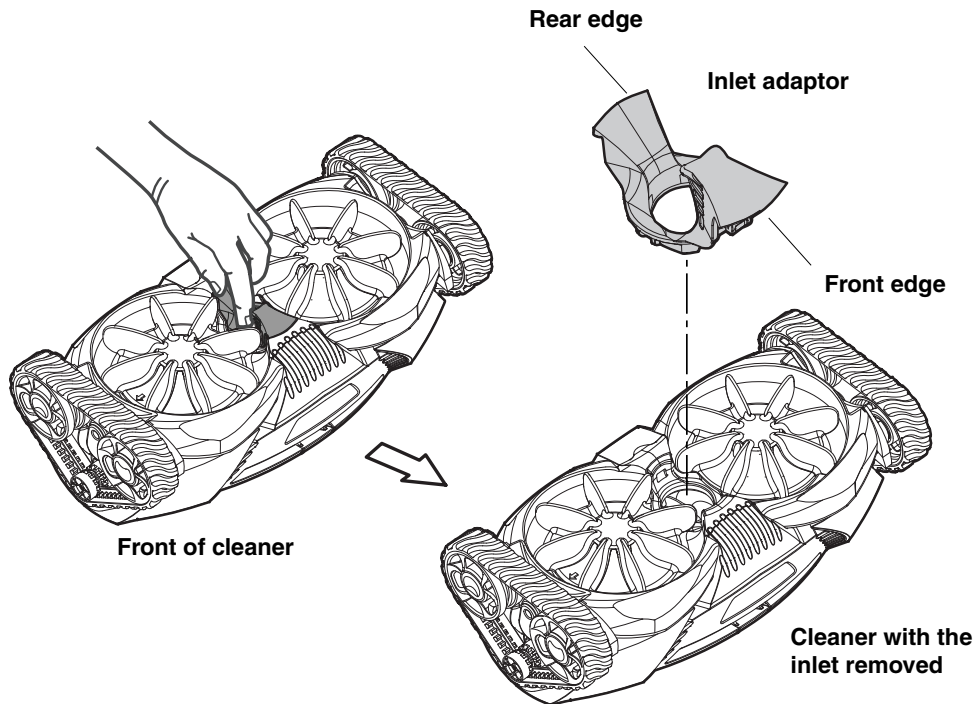
1. **Small debris cleaning mode:** For vacuuming smaller and heavy debris, such as, sand, silt and small stones. The pool cleaner is sent from the factory in this mode.
2. **Large debris cleaning mode:** For vacuuming large debris, such as, leaves.

⚠ WARNING

To avoid serious injury, make sure that the cleaner is disconnected from the hose and the suction pump used for the cleaner is turned off prior to starting this operation.

To convert the pool cleaner to the large debris cleaning mode:

1. Grasp the yellow inlet adapter and insert a finger into the adapter hole, as shown below.
2. Lift up the rear edge of the inlet adapter and then pull it out of the vacuum inlet.



To convert the cleaner back to the small debris cleaning mode (original from factory):

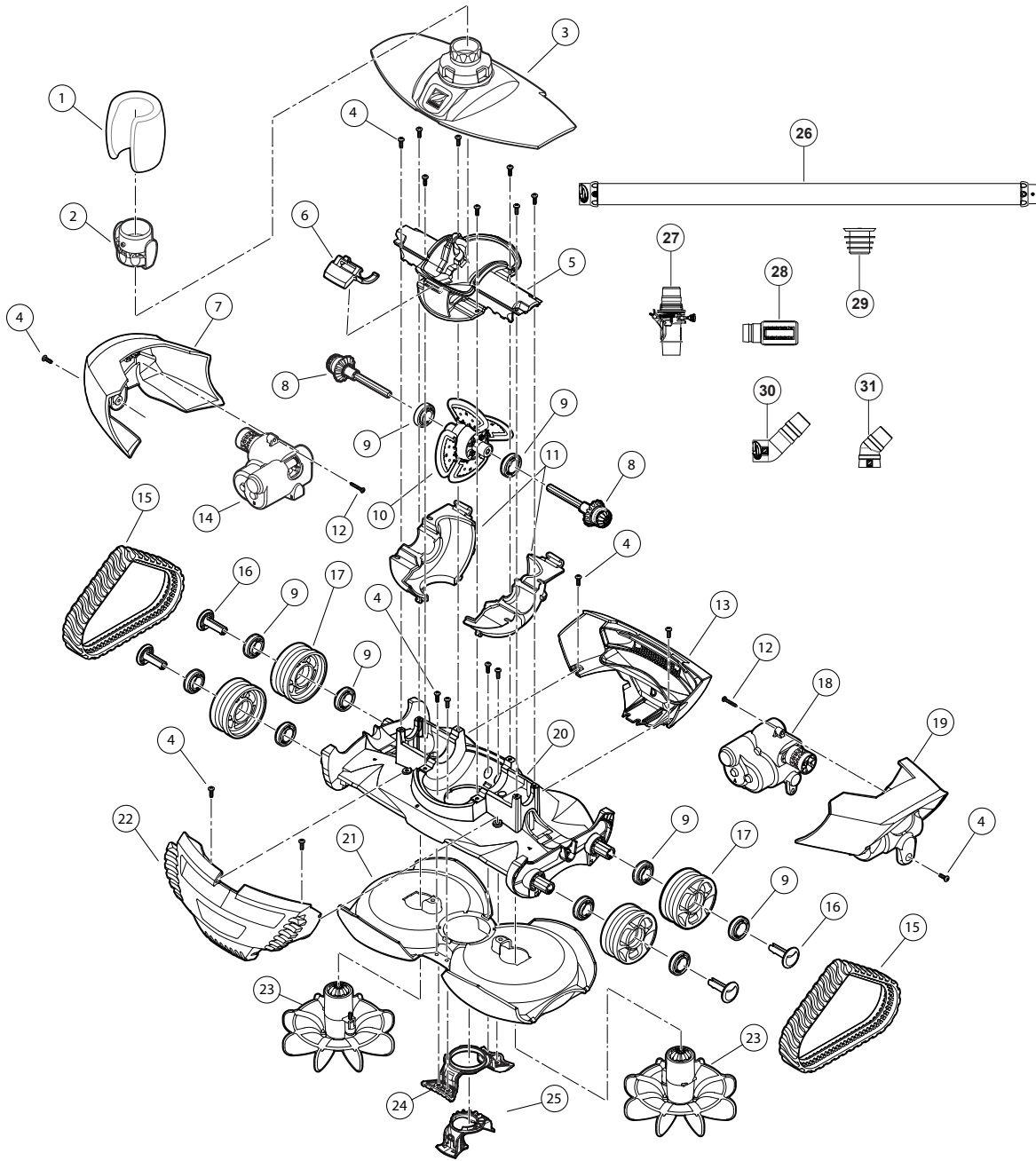
1. Place the yellow inlet adapter in the vacuum inlet of the pool cleaner. Push down on the yellow inlet adapter until both the front and rear edges click into place.

Troubleshooting

If you experience a problem with your Baracuda® MX™8, please follow the troubleshooting steps below to restore performance. If further assistance is required, contact Zodiac® Technical Support Department at (800) 822-7933. Please have your serial number and date of purchase available when you call.

Problem	Solution
Cleaner does not move or moves slowly.	<ul style="list-style-type: none"> • Confirm that the main drain is closed. • Use Flow Gauge to verify proper flow. • Backwash filter and empty pump basket. • Check for debris jammed in engine. Refer to section, “Remove Debris from Engine” on page 8. • Remove the yellow inlet adapter located at the bottom of the pool cleaner. Refer to section, “Pool Cleaner Vacuum Modes” on page 9. • Check for air in system. If water level in pump basket drops or you see excessive air bubbles in the pump basket or coming from the return lines, there is air in the system. Check hose connections, tighten all fittings at pump and check o-ring at pump basket for wear.
Cleaner patterns, does not cover entire pool.	<ul style="list-style-type: none"> • Use Flow Gauge to verify proper flow. • Ensure return fittings are directed down. Add a return diverter if necessary. • Make sure hose is not kinked or coiled. Lay in sun to straighten if necessary. • Verify correct hose float positioning. • Observe cleaner for more than five (5) minutes and ensure that each drive track is periodically reversing direction. If it is not, contact you dealer or service center for help. • Confirm proper hose length.
Cleaner gets stuck at steps.	<ul style="list-style-type: none"> • Observe cleaner for more than five (5) minutes and ensure that each drive track is periodically reversing direction. If it is not, contact you dealer or service center for help. • Ensure the swivel on top of the cleaner rotates freely. • Use Flow Gauge to verify proper flow. • Confirm proper hose length. Shorten if necessary.
Cleaner won't climb walls.	<ul style="list-style-type: none"> • Using Flow Gauge as guide, increase flow to cleaner. • Verify correct hose float positioning.
Cleaner climbs too much.	<ul style="list-style-type: none"> • Using Flow Gauge as guide, reduce flow to the second setting. • Verify correct hose float position.
Cleaner riding on its side.	<ul style="list-style-type: none"> • Verify correct hose float position.

Baracuda® MX™ 8 Parts Diagram



No.	Part #	Description	Qty.
1	R0526800	MX8 HOSE FLOAT	1
2	R0526900	QUICK CONNECTOR (BLUE)	1
3	R0525400	MX8 TOP COVER W/SWIVEL ASSEMBLY	1
4	R0527100	SCREW, M4x12mm, PHILLIPS #2 PAN HEAD	18
5	R0545700	MX8 MIDDLE ENGINE HOUSING W/ RAMP & 2 SEALS R2	1
6	R0526300	MX8 COVER LATCH	1
7	R0526600	MX8 BODY PANEL - RIGHT (B)	1
8	R0525100	MX8 DRIVE SHAFT ASSEMBLY	2
9	R0527000	BEARING, (WHEEL & ENGINE)	10
10	R0524900	MX8 ENGINE ASSEMBLY	1
11	R0525800	MX8 LOWER ENGINE HOUSING	1
12	R0527200	SCREW, THREAD FORMING, #6-18 7/8in TYPE A, PHILLIPS #2 PAN HEAD	2
13	R0525600	MX8 BODY PANEL - REAR (D)	1
14	R0524800	MX8 DIRECTION CONTROL DEVICE - SIDE B	1
15	R0526100	MX8 TRACK	2

No.	Part #	Description	Qty.
16	R0545800	MX8 WHEEL PIN R2	4
17	R0526000	MX8 WHEEL	4
18	R0524700	MX8 DIRECTION CONTROL DEVICE - SIDE A	1
19	R0526700	MX8 BODY PANEL - LEFT (A)	1
20	R0545600	MX8 CHASSIS ASSEMBLY R2	1
21	R0525700	MX8 LOWER BODY HOUSING	1
22	R0525500	MX8 BODY PANEL - FRONT (C)	1
23	R0525000	MX8 SCRUBBER ASSEMBLY	2
24	R0535500	MX8 INLET ASSEMBLY	1
25	R0535600	MX8 REGULAR OPENING	1
26	R0527700	TWIST LOCK HOSE - 1 METER, BLUE/GRAY	12
27	R0527400	FLOWKEEPER™ VALVE	1
28	R0527500	FLOW GAUGE	1
29	R0527600	IN-GROUND VALVE CUFF	1
30	R0532400	TWIST-LOCK 45 DEG ELBOW, EXTENDED	1
31	R0532500	45 DEG ELBOW	1

Information importante

AVERTISSEMENT

RISQUE DE PIÉGEAGE DANS LA CONDUITE D'ASPIRATION QUI, SI NON ÉVITÉ, POURRAIT ENTRAÎNER DES BLESSURES GRAVES OU LA MORT. S'assurer que les raccords d'aspiration installés dans votre piscine pour connecter le nettoyeur de piscine du côté aspiration sont homologués aux normes de sécurité applicables telles que IAPMO SPS 4. Ne pas bloquer les raccords d'aspiration avec une partie de votre corps. Garder les cheveux, vêtements amples, bijoux, etc. loin des raccords d'aspiration de la piscine/spa.



Lire le manuel d'entretien avant de faire fonctionner l'aspirateur.



Retirer l'aspirateur avant d'entrer dans la piscine.



Ne pas utiliser en dehors de la piscine.



Ne pas laisser les enfants jouer avec l'aspirateur.

Avis pour les piscines à revêtement en vinyle : Avant d'installer le nettoyeur de piscine, veuillez examiner l'intérieur de votre piscine avec soin. Si le revêtement est craquelé ou a des pierres, des replis, des racines ou une présence de corrosion métallique en contact avec le dessous du revêtement, ou si le matériel de la base ou les parois de soutènement sont endommagés, ne pas installer le nettoyeur avant d'avoir fait réparer ou remplacer le revêtement par un professionnel agréé. Veuillez consulter la garantie limitée.

- Pour éviter les accidents d'aspiration, les installations d'aspiration du mur devraient avoir un verrou de sécurité installé. Veuillez communiquer avec votre constructeur ou professionnel de piscines pour davantage de détails.
- Nettoyez le panier de l'écumoire, le panier de la pompe et le filtre de la piscine avant d'installer le nettoyeur et de façon régulière par la suite.
- Débranchez toujours le nettoyeur du mur ou de l'écumoire de la piscine avant de nettoyer ou faire un remous du filtre de la piscine. Après le nettoyage ou le ressac, laissez fonctionner le système de filtration pendant au moins cinq (5) minutes avant de rebrancher le nettoyeur.
- Enlevez le nettoyeur de la piscine avant de faire des traitements de choc ou de produits chimiques. Attendez un minimum de quatre (4) heures après la surchloration avant de réinstaller le nettoyeur.

Pour assurer un service rapide dans le cadre de la garantie, il est exigé de :

- Compléter et retourner la fiche de garantie à Zodiac®.
- Enregistrer votre information d'achat.
- Attacher une copie de votre reçu d'achat à ce document.

Date d'achat : _____ Acheté chez : _____

Numéro de série (situé sous le dessus) _____

S'il y a lieu, vous aurez à présenter votre manuel avec le reçu à tout centre de garantie de Zodiac.

Pour le service à la clientèle ou le soutien technique :

Zodiac Pool Systems, Inc.

2620 Commerce Way, Vista, CA 92081-8438

+1 (800) 822-7933

Introduction

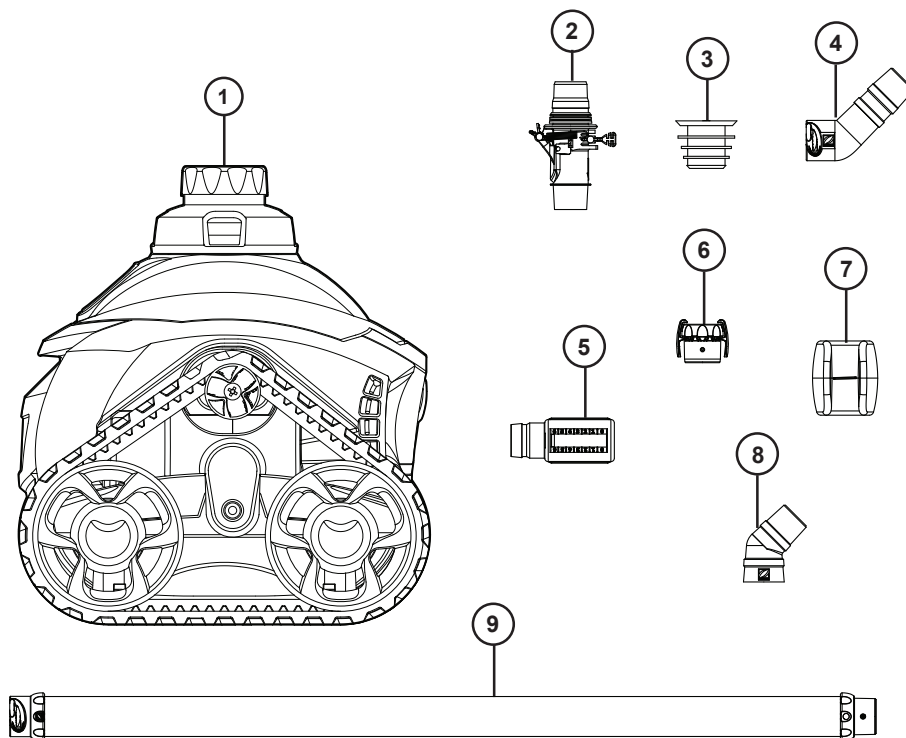
Félicitations pour l'achat de votre nouveau nettoyeur automatique de piscine Baracuda® MX™ 8. Construit avec la technologie Baracuda éprouvée, le Baracuda MX 8 est conçu et fabriqué pour une installation facile et des années de fonctionnement sans soucis. Avant d'installer le nettoyeur, veuillez prendre quelques instants pour en connaître ses composants et examiner les points énumérés sous Renseignements importants.

Comme la plupart des dispositifs mécaniques, le Baracuda MX 8 exige des ajustements périodiques, une maintenance de routine et le remplacement de certaines pièces mobiles. Assurez-vous de faire vérifier le Baracuda MX 8 occasionnellement par votre détaillant Baracuda local ou le centre de service.

Exigez toujours des pièces de rechange de Zodiac® d'origine. Les pièces qui ne proviennent pas de Zodiac ne sont pas fabriquées selon nos spécifications. Elles peuvent avoir un effet négatif sur le fonctionnement de votre Baracuda MX 8 ou même l'endommager.

Aspirateur Baracuda MX8 complet

1. Boîtier du nettoyeur
2. Valve Flowkeeper™
3. Manchon de la valve
4. Coude à verrouillage par rotation de 45 degrés allongé
5. Jauge d'écoulement
6. Connecteur rapide
7. Flotteur du flexible
8. Coude de 45 degrés
9. Section de flexible à verrouillage par rotation



Installation

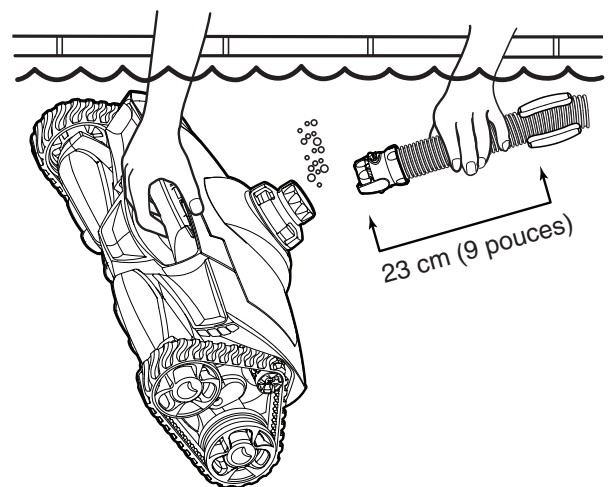
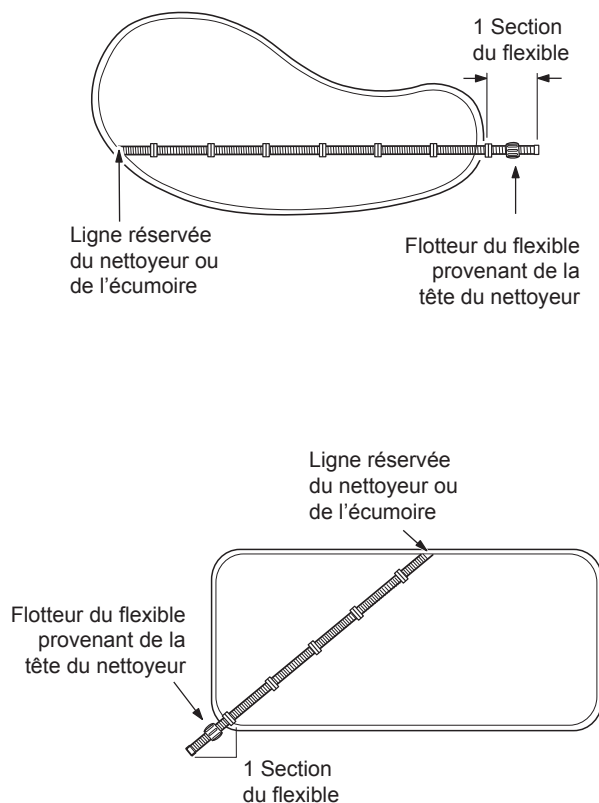
Préparation de la piscine

1. Balayez la piscine manuellement et assurez-vous que le filtre de la piscine et le panier de la pompe sont propres.
2. Fermez la ligne principale de canalisation de la piscine.
3. Alignez les raccords des conduites de retour vers le bas.

Assemblage du flexible

Le flexible emploie des connecteurs à verrou tournant faciles à utiliser. Poussez et tordez le connecteur de chaque section du flexible jusqu'à ce qu'ils soient à la position correcte (un déclic se fera entendre). Les manchons du flexible comportent trois positions de raccordement (3). N'importe laquelle des trois (3) positions est suffisante pour un joint étanche à l'air.

1. Raccordez assez de flexible pour atteindre le point le plus lointain de la piscine et, ensuite, ajoutez une section de plus.
2. Positionnez le flotteur du flexible sur sa première section, à environ 23 cm (9 pouces) de la tête du nettoyeur.
3. Verrouillez le connecteur rapide par rotation à l'extrémité du flexible à laquelle la tête est raccordée.



Raccordement du flexible

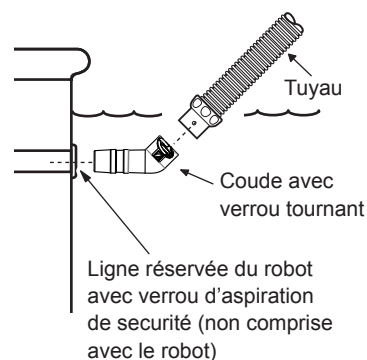
⚠ AVERTISSEMENT

RISQUE DE PIÉGEAGE DANS LA CONDUITE D'ASPIRATION QUI, SI NON ÉVITÉ, POURRAIT ENTRAÎNER DES BLESSURES GRAVES OU LA MORT. S'assurer que les raccords d'aspiration installés dans votre piscine pour connecter le nettoyeur de piscine du côté aspiration sont homologués aux normes de sécurité applicables telles que IAPMO SPS 4. Ne pas bloquer les raccords d'aspiration avec une partie de votre corps. Gardez vos cheveux, vêtements amples, bijoux, etc. loin des raccords d'aspiration ou des extrémités du flexible dans la piscine/le spa.

Mettez en marche le système de filtration et remplissez le flexible avec de l'eau en plaçant l'extrémité devant une arrivée de retour jusqu'à ce qu'elle soit inondée. Désactivez la pompe.

Pour relier le flexible à une conduite d'aspiration réservée:

1. Verrouillez par rotation l'extrémité mâle du flexible dans l'extrémité de grande dimension du coude de 45°.
2. Raccordez le coude à l'installation VCA sur le mur.
3. Orientez le coude vers le haut, en direction de la surface de l'eau.



Pour raccorder le flexible à une écumoire:

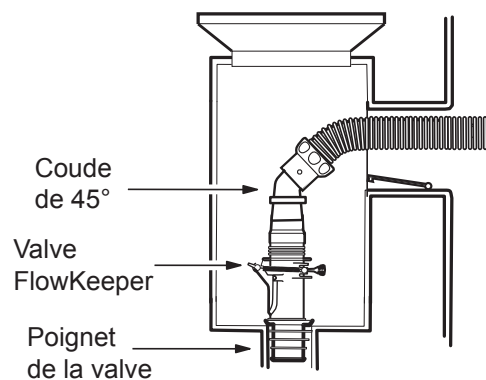
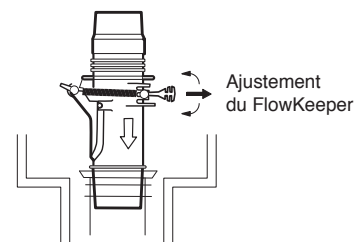
La valve FlowKeeper™ doit être toujours utilisée dans les installations à écumoire unique. La valve règle l'écoulement pour assurer que la pompe aussi bien que le nettoyeur de la piscine fonctionnent correctement. Elle est pré-réglée en usine pour optimiser le rendement du nettoyeur, mais elle offre aussi trois (3) configurations pour régler le débit.

Plus le numéro de la configuration est faible, plus l'écoulement est faible. Pour l'ajuster, tirez la poignée et déplacez la configuration désirée vers le haut ou vers le bas. L'étiquette rouge peut être utilisée pour ouvrir la valve et arrêter le nettoyeur.

Si la piscine plusieurs écumoires, raccordez le flexible à celle qui est la plus près de la pompe.

Les pièces utilisées pour raccorder le flexible et l'ordre dans lequel elles sont installées dépendent du type d'écumoire.

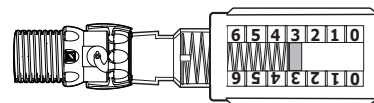
1. Enlevez le panier de l'écumoire.
2. Insérez le manchon de la valve, puis raccordez la valve FlowKeeper avec la flèche pointant vers le bas de la conduite de l'écumoire.
3. Choisissez la combinaison de raccord qui s'adapte le mieux à l'écumoire pour compléter le raccordement.



Vérification et ajustement d'un écoulement approprié

Déconnectez la tête du nettoyeur et fixez la jauge d'écoulement. Maintenez la jauge d'écoulement sous l'eau et demandez à quelqu'un de mettre en marche la pompe.

Vérifiez que le voyant rouge de la jauge d'écoulement (vue de côté) est sur le réglage numéro 3.



Au besoin, utilisez les valves dans le secteur d'équipement de la piscine pour ajuster l'écoulement.

- Pour le raccordement d'une écumoire dans les piscines munies d'une écumoire, le débit est automatiquement réglé par la valve FlowKeeper™. L'indicateur rouge devrait être dans la configuration appropriée.
- Pour les raccordements des écumaires dans des piscines à plusieurs écumaires, laissez ouverte la valve de l'écumoire qui est raccordée au flexible, puis fermez lentement l'autre valve jusqu'à ce que le réglage approprié soit atteint.
- Pour les conduites d'aspiration spéciales, laissez la conduite du nettoyeur ouverte, puis fermez lentement la conduite de l'écumoire jusqu'à ce que le débit soit sur le réglage approprié.

Si la circulation d'écoulement est basse (0-2) :

- Vérifiez et nettoyez le filtre de la piscine et les paniers au besoin.
- Vérifiez que les valves qui contrôlent les conduites d'aspiration sont en position correcte.

Si la circulation d'écoulement est élevée (4-6) :

- Vérifiez que les valves qui contrôlent les conduites d'aspiration sont en position correcte.
- Diminuez la configuration d'écoulement dans la valve FlowKeeper.

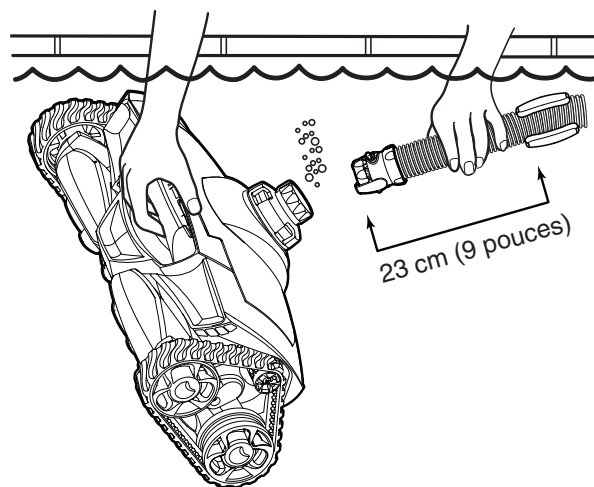
Raccordement du nettoyeur

⚠ AVERTISSEMENT

Pour éviter des blessures graves, veuillez éteindre la pompe d'aspiration qui est responsable de l'opération de nettoyage de la piscine. Gardez vos cheveux, vêtements amples, bijoux, etc. loin de l'extrémité ouverte du flexible.

Désactivez la pompe. Maintenez le flexible sous l'eau, retirez la jauge d'écoulement.

1. Immergez le nettoyeur et remplissez-le d'eau.
2. Lorsque les bulles cessent de s'échapper du nettoyeur, raccordez le flexible en appuyant sur le connecteur rapide du nettoyeur.
3. Laissez le nettoyeur couler au fond de la piscine.
4. Mettez en marche la pompe de la piscine et commencez à nettoyer.



Le Baracuda® MX™ 8 effectue des cycles de marche/arrêt avec la pompe de filtration de piscine, ce qui permet le balayage et le nettoyage de toutes les surfaces de façon aléatoire. La capacité de montée du nettoyeur varie en fonction de la forme de la piscine et du débit d'eau disponible. Si le Baracuda MX 8 ne monte pas les parois, assurez-vous que le débit est correct à l'aide de la jauge d'écoulement. En outre, assurez-vous que la surface de la piscine n'est pas couverte d'algue, car ceci affectera la traction du nettoyeur.

Au cours de chaque cycle des zones de balayage, le nettoyeur se déplace vers l'avant et l'arrière et pivote vers la droite et la gauche. Les brosses de forte puissance qui sont en dessous du nettoyeur créent une force pour la montée et la stabilité ainsi que pour la direction des débris vers l'ouverture du nettoyeur.

Vidage du panier de la pompe

Pour que le Baracuda MX 8 fonctionne avec une efficacité optimale, videz le panier de la pompe régulièrement. Plus il y a de débris dans la piscine, plus le panier de la pompe devra être souvent nettoyé. Le Zodiac® offre un récupérateur de feuilles en ligne qui piège les débris solides avant leur entrée dans le panier de la pompe. Consultez votre détaillant Zodiac pour des renseignements supplémentaires.

Lavage à contre-courant le filtre de la piscine

Débranchez toujours le Baracuda MX 8 de la paroi de la piscine avant de procéder au nettoyage ou au lavage à contre-courant du filtre de la piscine. Après le nettoyage ou le lavage à contre-courant, laissez le système de filtration fonctionner pendant au moins cinq (5) minutes pour rincer les conduites d'aspiration avant de rebrancher le nettoyeur.

Ajout de produit chimique à la piscine

Retirez le nettoyeur de la piscine pendant au moins quatre (4) heures après l'ajout de produits chimiques.

Rangement et hivernage

Ne rangez jamais le Baracuda MX 8 sous la lumière directe du soleil. Pour le rangement pendant l'hiver, videz toute l'eau (les dommages dus au gel ne sont pas couverts par la garantie). Enlevez tous les connecteurs et les adaptateurs de la conduite d'aspiration réservée ou de l'écumoire. Pour le rangement du nettoyeur, même pour de courtes périodes, n'enroulez pas le flexible, car il peut développer une mémoire qui peut affecter les performances du nettoyeur. Désassemblez les flexibles et mettez-les à plat.

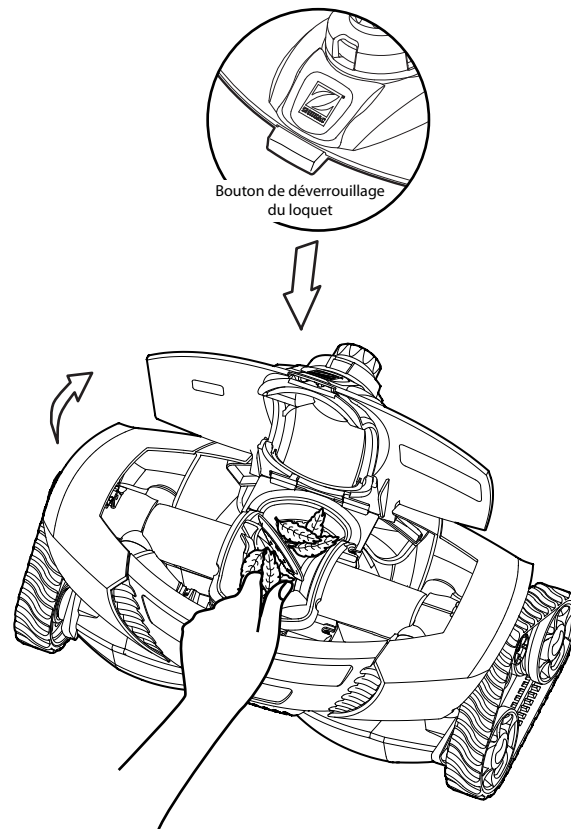
Fonctionnement et entretien de routine

Retrait ses débris logés dans le moteur

AVERTISSEMENT

Pour éviter de graves blessures, assurez-vous que le nettoyeur est débranché du flexible et que l'aspiration de la pompe utilisée pour le nettoyeur est éteinte avant de commencer cette opération.

- 1) Poussez le bouton de déverrouillage du loquet sur le dessus du nettoyeur.
- 2) Faites pivoter l'ensemble supérieur jusqu'à ce qu'il s'enclenche dans une position vers le haut.
- 3) Enlevez les débris qui sont présents dans le moteur.
- 4) S'il y a lieu, poussez doucement sur les pales du moteur vers l'avant et/ou l'arrière pour déplacer les débris coincés à un endroit accessible pour les retirer. Pour le déplacement des pales du moteur, assurez-vous que les roues de traction du nettoyeur tournent librement comme elles le font normalement lorsque les pales du moteur tournent.
- 5) Fermez la partie supérieure du moteur et assurez-vous que le loquet clique en place.



Modes d'aspiration de l'aspirateur de piscine

L'aspirateur de piscine Baracuda MX8 est conçu avec deux (2) options d'aspiration :

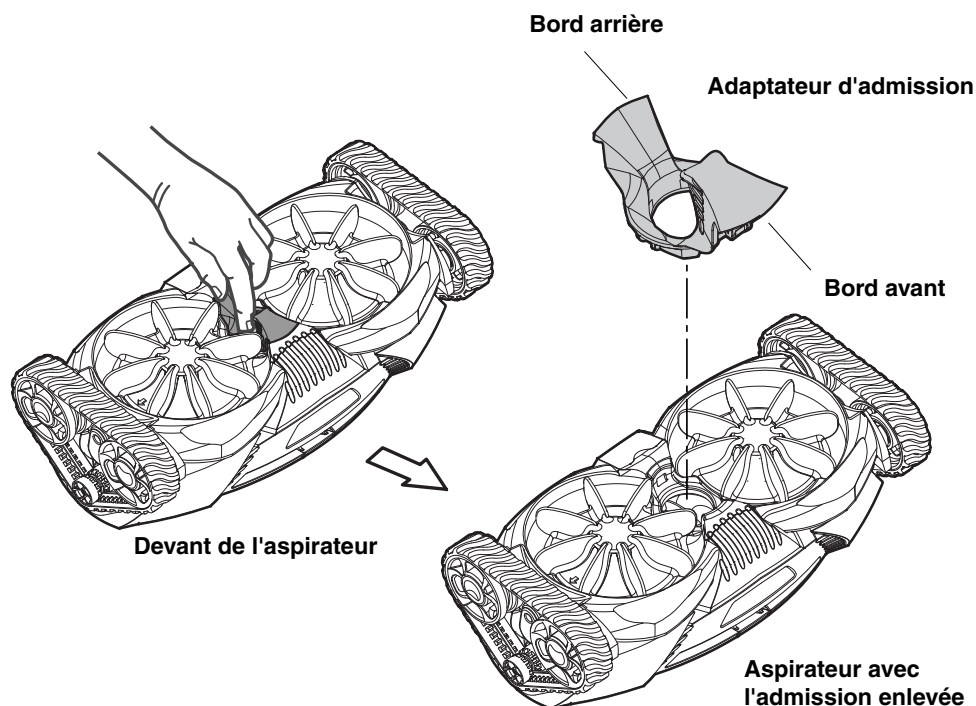
1. **Mode de nettoyage des petits débris** : Pour aspirer les débris plus petits et lourds, tels que le sable, la vase et les cailloux. L'aspirateur de piscine est expédié de l'usine dans ce mode.
2. **Mode de nettoyage des gros débris** : Pour aspirer les débris plus gros, tels que les feuilles.

AVERTISSEMENT

Pour éviter de graves blessures, s'assurer que l'aspirateur est débranché du flexible et que l'aspiration de la pompe utilisée pour l'aspirateur est éteinte avant de commencer cette opération.

Pour convertir l'aspirateur de piscine au mode de nettoyage des gros débris :

1. Saisir l'adaptateur d'admission jaune et insérer un doigt dans l'orifice de l'adaptateur, tel qu'il est indiqué ci-dessous.
2. Soulever le bord arrière de l'adaptateur d'admission, puis le retirer de la prise d'aspiration.



Pour convertir à nouveau l'aspirateur au mode de nettoyage des petits débris (défini en usine) :

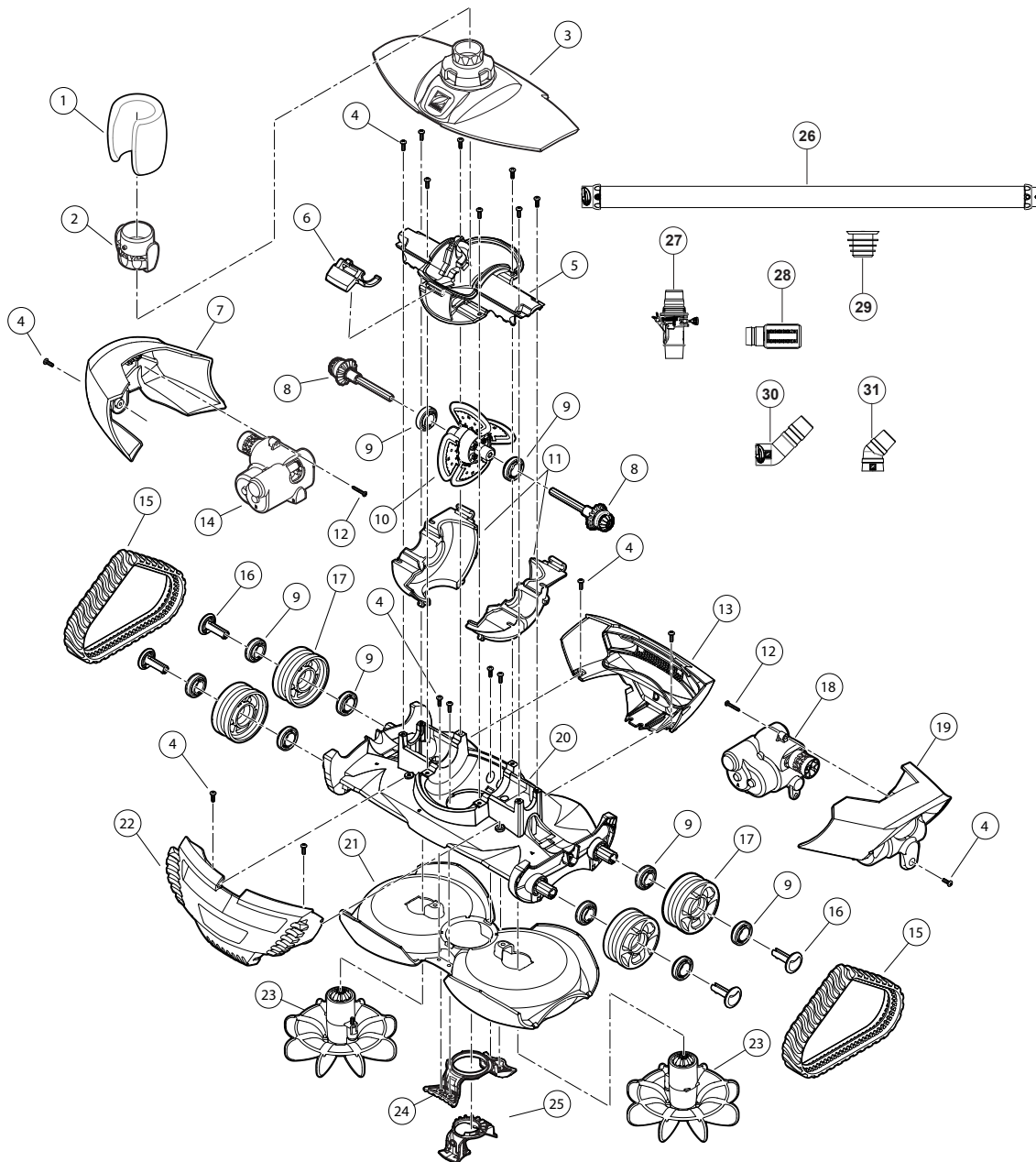
1. Placer l'adaptateur d'admission jaune dans la prise d'aspiration de l'aspirateur de piscine. Appuyer sur l'adaptateur d'admission jaune jusqu'à ce que les bords avant et arrière s'enclenchent.

Résolution des problèmes

Si vous rencontrez un problème avec votre Baracuda® MX™ 8, veuillez suivre les étapes de dépannage ci-dessous pour restaurer les performances. Si une assistance supplémentaire est nécessaire, veuillez contacter le Service de soutien technique de Zodiac au +1 (800) 822-7933. Veuillez avoir le numéro de série et la date d'achat disponibles quand vous appelez.

Problème	Solutions
Le nettoyeur ne se déplace pas au moment du démarrage ou se déplace lentement.	<ul style="list-style-type: none"> • Confirmez que la canalisation principale est fermée. • Utilisez la jauge d'écoulement pour vérifier que le débit est approprié. • Lavez à contre-courant le filtre et videz le panier de la pompe. • Vérifier qu'il n'y a aucuns débris coincés dans le moteur. Se référer à la section « Retirer les débris » du moteur à la Page 18. • Débrancher l'adaptateur d'admission jaune situé au fond de l'aspirateur de piscine. Se référer à la section « Modes d'aspiration de l'aspirateur de piscine », à la page 19. • Vérifiez la présence d'air dans le système. Si le niveau d'eau dans le panier de la pompe chute ou que vous voyez des bulles d'air dans le panier de la pompe ou provenant des conduits de retour, il y a de l'air dans le système. • Vérifiez les flexibles, resserrez tous les raccords de la pompe et vérifiez le joint torique de la pompe pour la présence d'usure.
Les mouvements du nettoyeur ne couvrent pas la totalité de la piscine.	<ul style="list-style-type: none"> • Utilisez la jauge d'écoulement pour vérifier l'écoulement approprié. • Assurez-vous que les garnitures de retour sont dirigées vers le bas. Ajoutez un détournement de retour au besoin. • Assurez-vous que le flexible n'est pas plié ou enroulé. Étendez-le au soleil au besoin pour le redresser. • Vérifiez que le flotteur du flexible est positionné correctement. • Observez le nettoyeur durant plus de cinq (5) minutes et faites en sorte que chaque roue de traction est périodiquement inversée. Si ce n'est pas le cas, veuillez communiquer avec votre détaillant ou centre de service pour de l'aide. • Confirmez la longueur appropriée de flexible.
Le nettoyeur se coince aux étapes.	<ul style="list-style-type: none"> • Observez le nettoyeur durant plus de cinq (5) minutes et faites en sorte que chaque roue de traction est périodiquement inversée. Si ce n'est pas le cas, veuillez communiquer avec votre détaillant ou centre de service pour de l'aide. • Assurez-vous que le pivot au-dessus du nettoyeur tourne librement. • Utilisez la jauge d'écoulement pour vérifier que le débit est approprié. • Confirmez la longueur appropriée de flexible. Réduisez-la au besoin.
Le nettoyeur ne va pas monter les parois.	<ul style="list-style-type: none"> • En utilisant la jauge d'écoulement comme guide, augmentez le débit vers le nettoyeur. • Vérifiez que le flotteur du flexible est positionné correctement.
Le nettoyeur remonte trop.	<ul style="list-style-type: none"> • En utilisant la jauge d'écoulement comme guide, réduisez le débit à la position numéro 2. • Vérifiez que le flotteur du flexible est positionné correctement.
Aspirateur reposant sur le côté.	<ul style="list-style-type: none"> • Vérifier que le flotteur du flexible est positionné correctement.

Schéma des pièces du Baracuda® MX™ 8



No.	No. de pièce	Description	Qté
1	R0526800	FLOTTEUR DU FLEXIBLE MX8	1
2	R0526900	CONNECTEUR RAPIDE (BLEU)	1
3	R0525400	COUVERCLE SUPÉRIEUR AVEC ENSEMBLE PIVOTANT MX8	1
4	R0527100	VIS, M4 x 12 mm, À TÊTE TRONCONIQUE PHILLIPS NO 2	18
5	R0545700	LOGEMENT MOTEUR INTERMÉDIAIRE AVEC RAMPE ET 2 JOINTS R2	1
6	R0526300	LOQUET DU COUVERCLE MX8	1
7	R0526600	PANNEAU DU BÔÎTIER - DROIT (B) MX8	1
8	R0525100	ENSEMBLE ARBRE D'ENTRAÎNEMENT MX8	2
9	R0527000	ROULEMENT (ROUE & MOTEUR)	10
10	R0524900	ENSEMBLE MOTEUR MX8	1
11	R0525800	LOGEMENT MOTEUR INFÉRIEUR MX8	1
12	R0527200	VIS, AUTOTARAUEUSE, NO 6, 18 7/8 po TYPE A, À TÊTE TRONCONIQUE PHILLIPS NO 2	2
13	R0525600	PANNEAU DU BÔÎTIER ARRIÈRE (D) MX 8	1
14	R0524800	DISPOSITIF DE COMMANDE DE DIRECTION MX 8 - CÔTÉ B 1	1
15	R0526100	ROULEMENT MX8	2
16	R0545800	AXE DE ROUE MX8 R2	4

No.	No. de pièce	Description	Qté
17	R0526000	ROUE MX8	4
18	R0524700	DISPOSITIF DE COMMANDE DE DIRECTION MX8 - CÔTÉ A 1	1
19	R0526700	PANNEAU DU BÔÎTIER - GAUCHE (A) MX8	1
20	R0545600	ENSEMBLE CHÂSSIS MX8 R2	1
21	R0525700	LOGEMENT BÔÎTIER INFÉRIEUR MX8	1
22	R0525500	PANNEAU DU BÔÎTIER - AVANT (C) MX8	1
23	R0525000	ENSEMBLE BROSSEUSE MX8	2
24	R0535500	ENSEMBLE ADMISSION MX8	1
25	R0535600	ORIFICE RÉGULIER MX8	1
26	R0527700	FLEXIBLE À VERROUILLAGE PAR ROTATION - 1 MÈTRE, BLEU/GRIS	12
27	R0527400	VALVE FLOWKEEPER™	1
28	R0527500	JAUGE D'ÉCOULEMENT	1
29	R0527600	MANCHON DE VALVE DE TERRE	1
30	R0532400	COUDE À VERROUILLAGE PAR ROTATION DE 45 DEGRÉS, ALLONGÉ	1
31	R0532500	COUDE DE 45 DEGRÉS	1

Información importante

ADVERTENCIA

RIESGO DE QUEDAR ATRAPADO POR LA SUCCION, LO CUAL, SI NO ES EVITADO PUEDE RESULTAR EN LESIONES GRAVES O MUERTE. LEA ESTE MANUAL COMPLETAMENTE ANTES DE INSTALAR Y OPERAR EL LIMPIAFONDOS. Asegúrese que los accesorios de succión y aspiración instalados en su piscina para la conexión de succión al lado del limpiafondos estén certificados en conformidad de las normas de seguridad aplicables tales como IAPMP SPS 4. No bloquee los accesorios de succión, o las aberturas de succión en el limpiafondos, o las mangueras del limpiafondos con alguna parte de su cuerpo. No exponga su cabello, ropa suelta, joyas, etc, al desagüe o salidas de los accesorios de succión en la piscina/spa.



Lea el manual del usuario antes de operar el limpiafondos.



Remueva la piscina antes de entrar en la piscina.



No opere el limpiafondos afuera de la piscina.



No deje que niños jueguen con el limpiafondos.

Aviso para las piscinas con revestimiento de vinilo: Antes de instalar su nuevo limpiafondos automático, examine el interior de su piscina cuidadosamente. Si el revestimiento de vinilo tiene piedras, arrugas, raíces o herrumbre y esta en contacto con la parte inferior del revestimiento, o tiene daños en el material de base o las paredes de apoyo, no instale el limpiafondos sin que un profesional capacitado haga antes las reparaciones necesarias o reemplace el revestimiento. **Zodiac Pool Systems, Inc. no será responsable del daño del revestimiento que sea causado por irreparaciones, daño al dibujo del revestimiento del vinilo, o un revestimiento del vinilo dañado por un limpiafondos deteriorado. Por favor lea la garantía limitada.**

- Para ayudar a prevenir accidentes de atascamiento por succión, los ajustes de aspiración de pared deben tener un bloqueo de aspiración de seguridad instalado. Contacte a su constructor o profesional de piscinas para más detalles.
- Limpie la canasta del colector de espuma, la canasta de la bomba y el filtro de la piscina antes de instalar el limpiafondos y luego hágalo regularmente.
- Desconecte siempre el limpiafondos antes de limpiar o hacer lavado contracorriente del filtro de la piscina. Después de la limpieza, deje que el sistema de filtrado funcione durante al menos cinco (5) minutos antes de volver a conectar el limpiafondos.
- Quite el limpiafondos de la piscina antes de aplicar tratamientos con químicos. Espere un mínimo de cuatro (4) horas después de cloración fuerte antes de volver a instalar el limpiafondos.

Para garantizar un servicio inmediato, si se le solicitará, por favor:

- Complete y devuelva la tarjeta de garantía de Zodiac.
- Registre la información de su compra.
- Adjunte a este documento una copia del recibo de su compra.

Fecha de compra: _____ Comprado en: _____

Número de serie (que aparece en la parte inferior de la cubierta): _____

Si necesita servicio, simplemente presente su manual del usuario con el recibo adjunto en cualquier centro de garantía autorizado de Zodiac del país.

Para atención o ayuda al cliente:

Zodiac Pool Systems, Inc.

2620 Commerce Way, Vista, CA 92081-8438

1-800-822-7933

Introducción

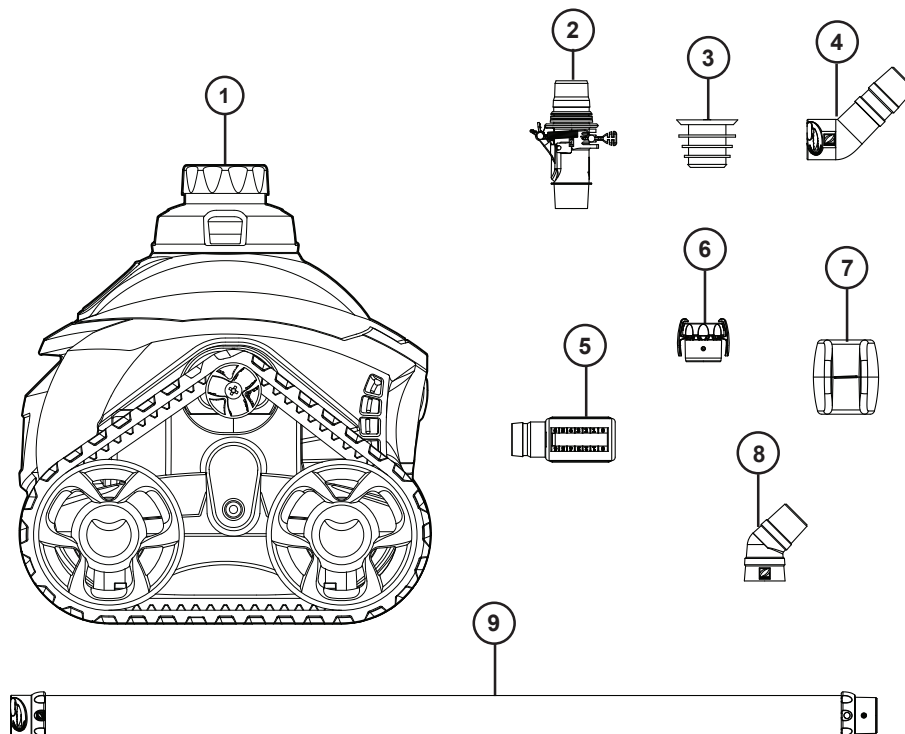
Felicitaciones por la compra de su nuevo limpiafondos automático Baracuda® MX™ 8. Construido con la tecnología probada de Baracuda, el Baracuda MX8 está diseñado y fabricado para instalarse fácilmente y brindarle años de funcionamiento sin preocupaciones. Antes de instalar el limpiafondos, por favor tómese un momento para familiarizarse con sus componentes y para revisar los artículos enumerados en **Información importante**.

Como la mayoría de los dispositivos mecánicos, el Baracuda MX 8 requerirá ajustes periódicos, mantenimientos de rutina y el recambio de determinadas piezas de alto trabajo. Le rogamos que haga revisar periódicamente su limpiafondos por el distribuidor local de Baracuda o por un centro de servicios.

Insista siempre en que se utilicen piezas originales Zodiac® para el reemplazo de las partes. Aquellas partes que no sean originales de Zodiac, no se ajustan a nuestras especificaciones. Podrían causar efectos adversos en el funcionamiento de su Baracuda MX 8 o incluso dañarlo.

Limpiafondos Baracuda MX 8 completo

1. Cuerpo del limpiafondos
2. Válvula Flowkeeper™
3. Manguito de la válvula
4. Codo de 45 grados de bloqueo por torsión extendido
5. Calibrador de caudal
6. Conector rápido
7. Flotador de manguera
8. Codo de 45 grados
9. Sección de manguera de bloqueo por torsión



Instalación

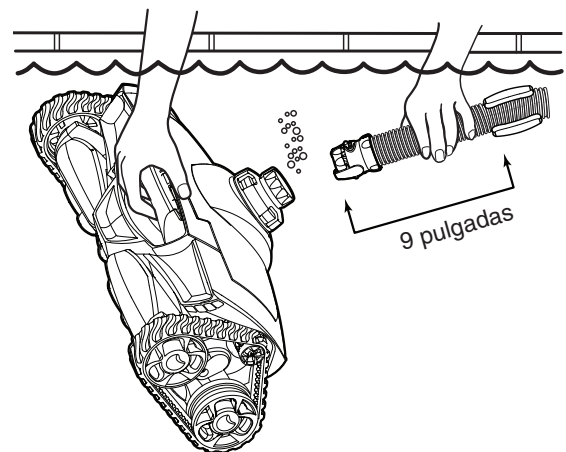
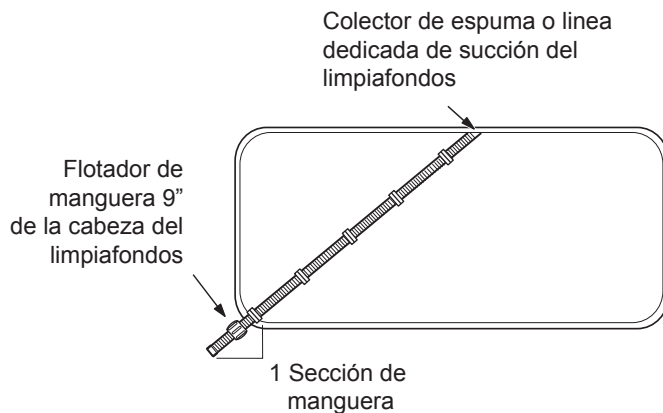
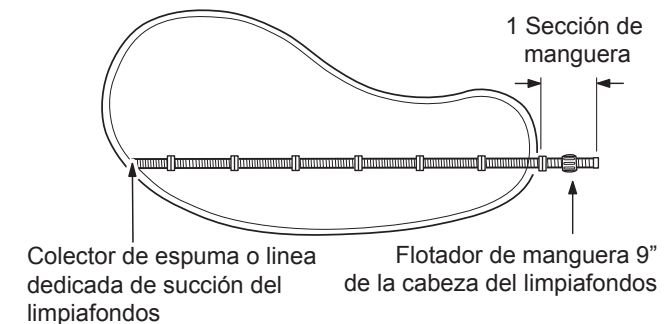
Prepare the piscina

1. Manualmente vacíe la piscina y asegúrese de que el filtro de la piscina y el cesto de la bomba estén limpios.
2. Cierre el drenaje principal de la piscina.
3. Dirija los accesorios de la línea de retorno hacia abajo.

Arme la manguera

La manguera utiliza conectores de bloqueo por torsión. Empuje y gire el conector en cada tramo de la manguera hasta que encaje en su posición con un clic. Los manguitos de la manguera tienen tres (3) posiciones de conexión. Cualquiera de las tres (3) posiciones son suficientes para un sello hermético.

1. Conecte la manguera lo suficiente para alcanzar el punto más alejado de la piscina y luego añada una sección más.
2. Coloque la manguera de flotación en la sección de la manguera en primer lugar, alrededor de nueve (9) centímetros de la cabeza del limpiafondos.
3. Gire y asegure el conector rápido en el extremo de la manguera donde se conecta la cabeza.



Conecte la manguera

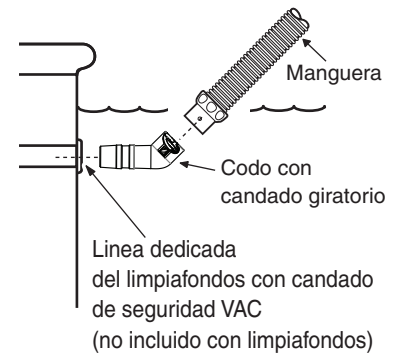
⚠ ADVERTENCIA

RIESGO DE QUEDAR ATRAPADO POR LA SUCCION, LO CUAL, SI NO ES EVITADO PUEDE RESULTAR EN LESIONES GRAVES O MUERTE. LEA ESTE MANUAL COMPLETAMENTE ANTES DE INSTALAR Y OPERAR EL LIMPIAFONDOS. Asegúrese que los accesorios de succión y aspiración instalados en su piscina para la conexión de succión al lado del limpiafondos estén certificados en conformidad de las normas de seguridad aplicables tales como IAPMP SPS 4. No bloquee los accesorios de succión, o las aberturas de succión en el limpiafondos, o las mangueras del limpiafondos con alguna parte de su cuerpo. No exponga su cabello, ropa suelta, joyas, etc, al desagüe o salidas de los accesorios de succión en la piscina/spa.

Encienda el sistema de filtración y llene la manguera con agua colocando el extremo frente al retorno de entrada hasta que se inunda. Apague la bomba.

Para conectar a una línea de succión exclusiva:

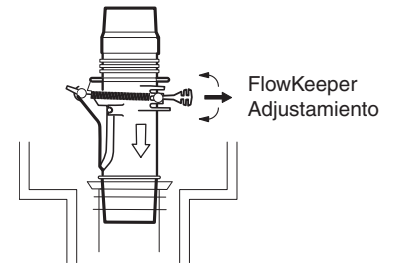
1. Conecte el extremo macho de la manguera al codo de bloqueo por torsión de 45°.
2. Conecte el codo al ajuste de pared con aspiración de seguridad.
3. Coloque el codo en ángulo hacia arriba, hacia la superficie del agua.



Para conectar a un colector de espuma:

La válvula FlowKeeper™ debe usarse siempre en instalaciones de un solo colector de espuma. La válvula regula el caudal para garantizar que la bomba de la piscina y el limpiafondos funcionen correctamente. Viene ya configurada de fábrica para optimizar el desempeño del limpiafondos, pero ofrece tres (3) opciones para ajustar el caudal.

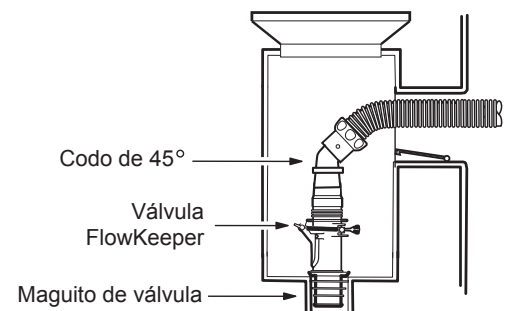
Cuanto más bajo el número de configuración, más bajo será el caudal. Para ajustarlo, tire de la manija y mueva la configuración hacia arriba o hacia abajo. La trabilla roja puede usarse para abrir la válvula y detener el limpiafondos.



Si la piscina tiene más de un colector de espuma, conecte la manguera al que esté más cerca de la bomba. Las partes que se usen para conectar la manguera y la secuencia usada para instalarlas dependerán del tipo de colector de espuma.

Las piezas utilizadas para conectar la manguera, y la secuencia en que están instalados depende del tipo del colector de espuma.

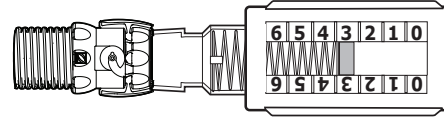
1. Retire el cesto del colector de espuma.
2. Inserte la válvula de manguito y conecte el FlowKeeper con la flecha apuntando hacia abajo hacia el tubo del colector de espuma.
3. Elija la combinación conveniente que mejor se adapte al colector de espuma para completar la conexión.



Pruebe y ajuste para comprobar que el caudal sea adecuado

Con la manguera sumergida, acople el conector flexible al extremo de la manguera. Acople el calibrador de caudal en el conector y encienda la bomba.

Verifique que el indicador rojo en el calibrador (visto del costado) esté en el número 3.



De ser necesario, use las válvulas en el área de equipos de la piscina para ajustar el caudal.

- **Para las conexiones de colectores de espuma en piscinas que tienen un solo colector de espuma**, el caudal es regulado en forma automática por la válvula FlowKeeper. El indicador rojo debe estar en la configuración adecuada.
- Para las conexiones de colectores de espuma en piscinas que tienen más de un colector de espuma, deje la válvula para el colector de espuma conectado a la manguera abierta, luego cierre poco a poco el otro colector de espuma hasta alcanzar la configuración adecuada.
- Para conexiones de línea de succión exclusiva, deje la línea de aspiración abierta y cierre poco a poco la línea del colector de espuma hasta que el caudal esté en la configuración adecuada.

Si el caudal está en el margen inferior (0-2):

- Revise y limpie el filtro de la piscina y las canastas de ser necesario.
- Verifique que las válvulas que controlan las líneas de succión estén en la posición correcta.

Si el caudal está en el margen superior (4-6):

- Verifique que las válvulas que controlan las líneas de succión estén en la posición correcta.
- Baje la regulación del caudal en la válvula FlowKeeper.
- Abra ligeramente el drenaje principal para reducir más el caudal.

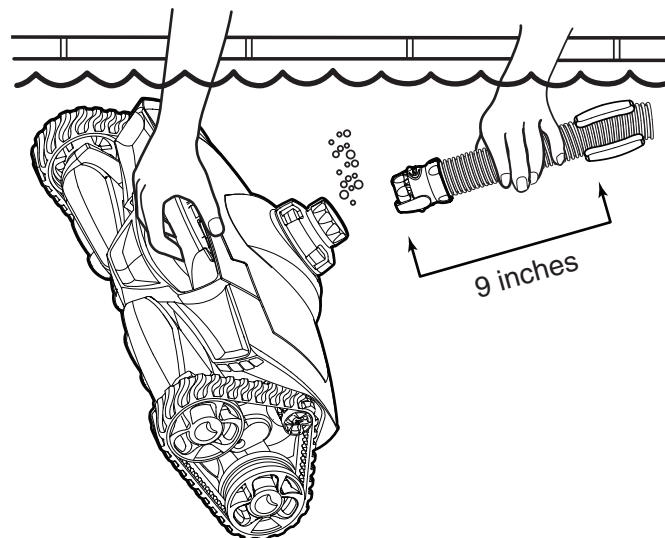
Conecte el limpiafondos

⚠ ADVERTENCIA

Para evitar lesiones graves, apague la bomba de succión del limpiafondos antes de realizar este paso. No exponga su cabello, ropa suelta, joyas, etc, a las salidas de la manguera.

Apague la bomba. Con la manguera bajo agua, quite el calibrador de caudal.

1. Sumerja el limpiafondos y llénelo con agua.
2. Cuando dejen de salir burbujas del tubo de extensión, conecte la manguera al limpiafondos.
3. Deje que el limpiafondos se dirija solo hacia el fondo de la piscina.
4. Encienda la bomba de la piscina y comience la limpieza.



Los ciclos de encendido/apagado del Baracuda® MX™ 8 junto con la bomba de filtración, limpian todas las superficies al azar a lo largo de la piscina. La habilidad de ascender del limpiafondos depende de la configuración de la piscina y el flujo de agua disponible. Si Baracuda MX 8 no asciende las paredes, asegúrese que el flujo sea correcto utilizando el medidor de flujo. Además, asegúrese que la superficie de las piscinas no este cubierto de algas, ya que la superficie resbaladiza afectará la tracción del limpiafondos.

Durante cada ciclo de cobertura, el limpiafondos viaja hacia adelante y hacia atrás, y gira a la derecha y la izquierda. Los cepillos de fregar colocados debajo de el limpiafondos crean fuerza hacia abajo que ayudan a ascender y estabilizar, así como para dirigir los desechos hacia la boca del limpiafondos.

Vaciando el cesto de la bomba

Para que el Baracuda MX 8 opere con una eficiencia óptima, vacie la cesta de la bomba periódicamente. Si hay muchos más desechos en la piscina, la cesta de la bomba debe ser vaciada con mayor frecuencia. Zodiac® ofrece un recolector de hoja en línea para que los desechos sólidos sean atrapados antes de entrar en la canasta de la bomba. Consulte a su distribuidor Zodiac para más detalles.

Lave el filtro de la piscina

Siempre desconecte el Baracuda MX 8 de la pared de la piscina antes de limpiar o lavar el filtro de la piscina. Después de la limpieza y el lavado, deje que el sistema de filtración funcione durante al menos cinco (5) minutos para limpiar las líneas de succión antes de volver a conectar el limpiafondos.

Adición de productos químicos para la piscina

Quite el filtro de la piscina durante un mínimo de cuatro (4) horas al añadir productos químicos.

Almacenamiento y preparación para el invierno

Nunca almacene el Baracuda MX 8 en la luz solar directa. Al almacenar para el invierno, drene toda el agua (daños por congelación no está cubierto por la garantía). Retire todos los conectores y adaptadores de la línea de succión exclusiva o del colector de espuma. Al almacenar el limpiafondos, incluso para tiempos cortos, no enrolle la manguera ya que puede desarrollar una memoria que puede afectar el rendimiento del limpiafondos. Desmonte las mangueras y el diseño plano.

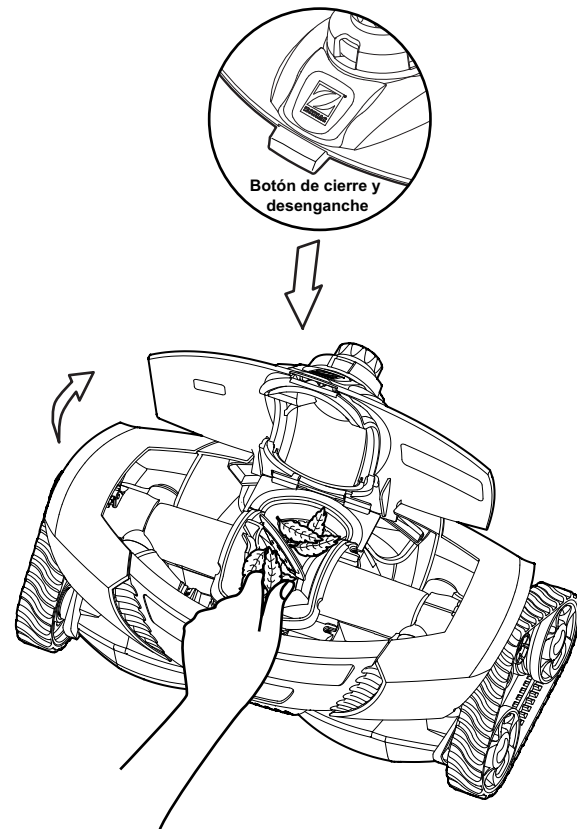
Operación and mantenimiento rutinario

Removiendo desechos del motor

⚠ ADVERTENCIA

Para evitar lesiones graves, asegúrese de que el limpiafondos este desconectado de la manguera y que la bomba de succión utilizada para el limpiafondos está apagada antes de realizar esta operación.

- 1) Pulse el botón de cierre y desenganche en la parte superior del limpiafondos.
- 2) Gire el conjunto de arriba hacia atrás hasta que encaje en una posición hacia arriba.
- 3) Mire en el motor y retire los desechos que están presente.
- 4) Si es necesario, empuje las paletas del motor hacia delante o hacia atrás para mover los desechos pegados a un lugar accesible para luego removerlos. Al mover las paletas del motor, asegúrese que las pistas de tracción estén limpias para que se muevan libremente ya que a su vez se mueven cuando las paletas del motor giran.
- 5) Cerrar la tapa del motor y asegurarse de que quede fijo en su lugar.



Modos de limpieza del limpiafondos

El Baracuda MX8 limpiafondos está diseñado con dos (2) opciones de limpieza:

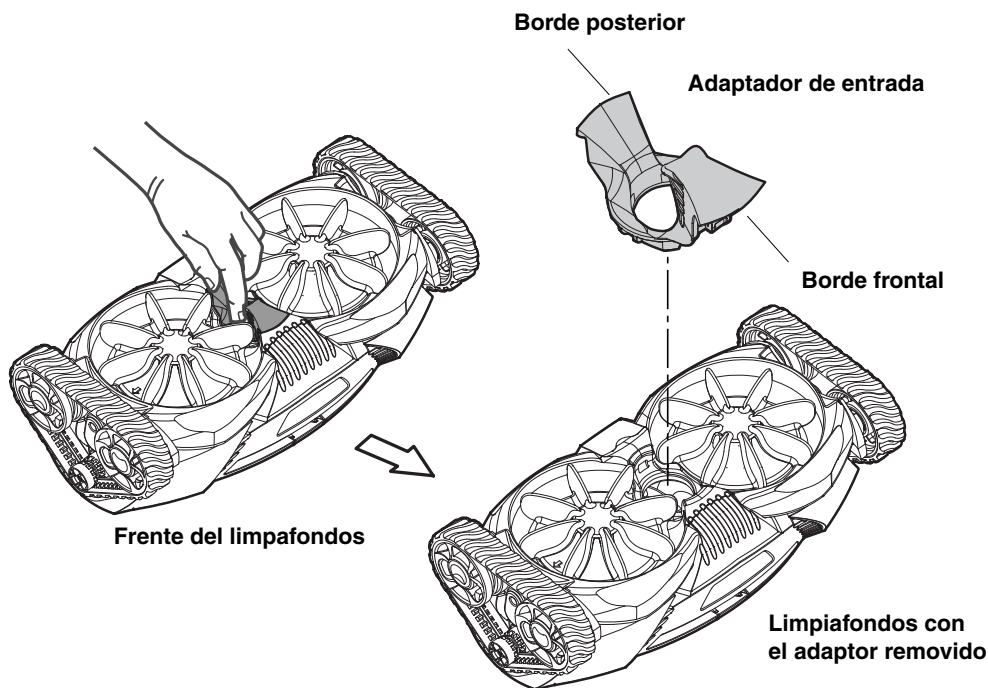
1. **Modo de limpieza para desechos pequeños:** Para aspirar los residuos más pequeños y pesados, por ejemplo, arena, limo y piedras pequeñas. El limpiafondos se envía desde la fábrica en este modo.
2. **Modo de limpieza para desechos grandes:** Para aspirar los desechos grandes, tales como, las hojas.

⚠ ADVERTENCIA

Para evitar lesiones graves, asegúrese de que el limpiafondos está desconectado de la manguera y que la bomba de succión utilizada para el limpiafondos este apagada antes de comenzar esta operación.

Para convertir el limpiafondos al modo de limpieza de desechos grandes:

1. Sujete el adaptador de entrada de color amarillo e introduzca un dedo en el orificio del adaptador, como se muestra a continuación.
2. Levante el borde posterior del adaptador y luego saquelo del agujero del limpiafondos.



Para convertir el limpiafondos al modo de limpieza de desechos pequeños (original de fábrica):

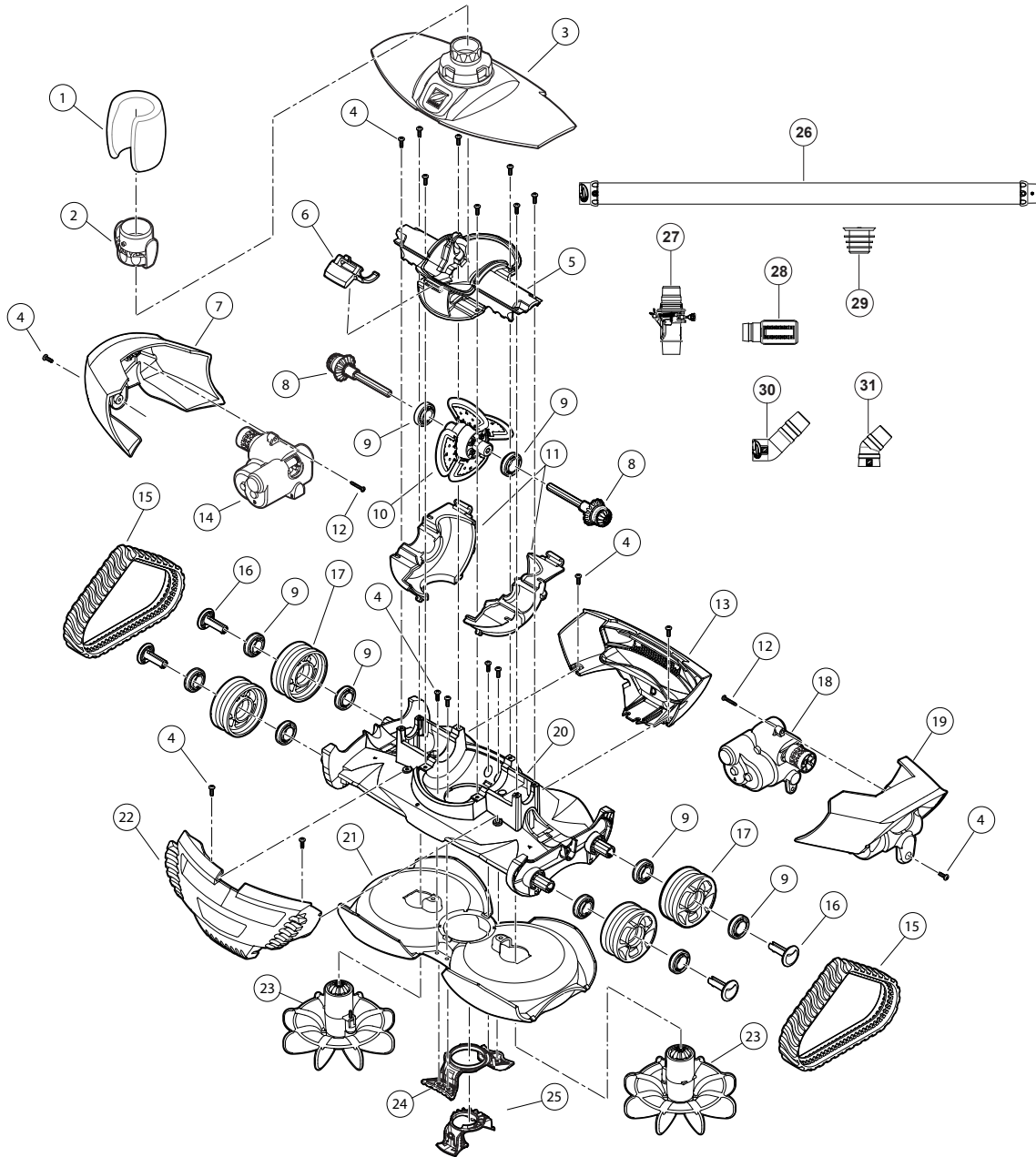
1. Coloque el adaptador de color amarillo en el agujero de aspiración del limpiafondos. Empuje hacia abajo el adaptador amarillo hasta que ambos border, el frontal y posterior hagan clic en su lugar (en el agujero de aspiración).

Diagnóstico y localización de averías

Si tiene algún problema con su Baracuda® MX™ 8, por favor siga los pasos del diagnóstico y localización de averías a continuación para restablecer el funcionamiento normal. Si necesita más ayuda, contáctese al departamento de soporte técnico de Zodiac al (800) 822-7933. Por favor tenga a mano su número de serie y fecha de compra cuando llame.

Problema	Solución
El limpiafondos no se mueve o se mueve lentamente.	<ul style="list-style-type: none"> • Confirme que el drenaje principal esté cerrado. • Use el calibrador de caudal para verificar que el caudal sea adecuado. • Lave el filtro contracorriente y vacíe la canasta de la bomba. • Verifique que desechos no estén atorados en el motor. Consulte la sección “Removiendo desechos del motor” en la página 28. • Retire el adaptador de entrada de color amarillo en la parte inferior del limpiafondos. Consulte la sección de “Modos de limpieza del limpiafondos” en la página 29. • Verifique que no haya aire en el sistema. Si baja el nivel de agua en la canasta de la bomba o si ve que salen demasiadas burbujas de la canasta o de las líneas de retorno, quiere decir que hay aire en el sistema. Revise todas las conexiones de la manguera, apriete todos los acopladores en la bomba y revise el empaque de la canasta para ver si está gastado.
El limpiafondos limpia sectores, no cubre la piscina entera.	<ul style="list-style-type: none"> • Use el calibrador de caudal para verificar que el caudal sea adecuado. • Asegúrese de que los elementos de retorno estén apuntando hacia abajo. Agregue un desviador de retorno de ser necesario. • Asegúrese de que la manguera no esté enrollada ni enroscada. De ser necesario, extiéndala y deje que le dé el sol para estirarla. • Verifique que la posición del peso de la manguera sea la correcta. • Observe el limpiafondos por cinco (5) minutos y asegúrese que cada pista de tracción retrocede periódicamente. Si esto no sucede, contacte a su concesionario o al centro de servicio de ayuda al cliente. • Confirme que la longitud de la manguera sea adecuada.
El limpiafondos se queda trabado en los escalones.	<ul style="list-style-type: none"> • Observe el limpiafondos por cinco (5) minutos y asegúrese que cada pista de tracción retrocede periódicamente. Si esto no sucede, contacte a su concesionario o al centro de servicio de ayuda al cliente. • Asegúrese que la plataforma giratoria de la cubierta gira libremente. • Use el calibrador de caudal para verificar que el caudal sea adecuado. • Confirme que la longitud de la manguera sea adecuada. De ser necesario, acórtela.
El limpiafondos no asciende por las paredes.	<ul style="list-style-type: none"> • Use el calibrador de caudal para verificar que el caudal sea adecuado. • Verifique que la posición del peso de la manguera sea la correcta.
Demasiado ascenso del limpiafondos	<ul style="list-style-type: none"> • Use el calibrador de caudal para verificar que el caudal sea adecuado. • Verifique que la posición del peso de la manguera sea la correcta.
El limpiafondos corre de lado	<ul style="list-style-type: none"> • Verifique que la posición del peso de la manguera sea la correcta.

Diagrama de piezas del Baracuda® MX™ 8



No.	Pieza #	Descripción	Cantidad
1	R0526800	MX8 FLOTADOR DE LA MANGUEA	1
2	R0526900	CONECTOR RAPIDO (AZUL)	1
3	R0525400	MX8 CUBIERTA SUPERIOR CON CONJUNTO GIRATORIO	1
4	R0527100	TORNILLO, M4x12mm, PHILLIPS #2 CABEZA PLANA	18
5	R0545700	MX8 CARCASA CENTRAL CON RAMPA Y DOS SELLOS R2	1
6	R0526300	MX8 CERRADURA DE LA CUBIERTA	1
7	R0526600	MX8 PANEL DE CUERPO - DERECHA (B)	1
8	R0525100	MX8 UNIDAD DE MONTAJE DEL EJE	2
9	R0527000	COJINETE, (RUEDA Y MOTOR)	10
10	R0524900	MX8 CONJUNTO DEL MOTOR	1
11	R0525800	MX8 CARCASA BAJA DEL MOTOR	1
12	R0527200	TORNILLO, HILO DE FORMACIÓN, #6-18 7/8in TIPO A, PHILLIPS #2 CABEZA PLANA	2
13	R0525600	MX8 PANEL DEL CUERPO - TRASERO (D)	1
14	R0524800	MX8 DISPOSITIVO DE CONTROL DE DIRECCIÓN - LADO B	1
15	R0526100	MX8 TRACCION	2

No.	Pieza #	Descripción	Cantidad
16	R0545800	MX8 PASADOR DE RUEDA R2	4
17	R0526000	MX8 RUEDA	4
18	R0524700	MX8 DISPOSITIVO DE CONTROL DE DIRRECCION - SIDE A	1
19	R0526700	MX8 PANEL DEL CUERPO - IZQUIERDA (A)	1
20	R0545600	MX8 CONJUNTO DEL CHASIS R2	1
21	R0525700	MX8 CARCASA DEL CUERPO INFERIOR	1
22	R0525500	MX8 PANEL DEL CUERPO - FRONTAL (C)	1
23	R0525000	MX8 CONJUNTO DE BARREDORES	2
24	R0525300	MX8 CONJUNTO DE ADAPTADOR DE ENTRADA	1
25	R0535600	MX8 ABERTURA REGULAR	1
26	R0527700	MANGUERA DE BLOQUEO POR TORSION 1 METRO, BLUE/GRAY	12
27	R0527400	VALVULA FLOWKEEPER™	1
28	R0527500	CALIBRADOR DE CAUDAL	1
29	R0527600	MANGILLO DE VALVULA A NIVEL	1
30	R0532400	CODO DE BLOQUEO POR TORSION, 45 GRADOS, EXTENDIDO	1
31	R0532500	CODO DE 45 GRADOS	1

Zodiac Pool Systems, Inc.

2620 Commerce Way, Vista, CA 92081

1.800.822.7933 | www.ZodiacPoolSystems.com

*ZODIAC® es una marca registrada de Zodiac International, S.A.S.U., usada bajo licencia.
Todas las otras marcas registradas usadas aquí son propiedad de sus propietarios.*

*ZODIAC® est une marque déposée de Zodiac International, S.A.S.U., utilisée sous licence.
Toutes les autres marques citées sont la propriété respective de leur propriétaire.*

*ZODIAC® is a registered trademark of Zodiac International, S.A.S.U., used under license.
All trademarks referenced herein are the property of their respective owners.*

©2011 Zodiac Pool Systems, Inc. H0343700 Rev D 1201

