



CFR 25 & 50 ELEMENT FILTERS

Pool/Spa Filters

Filters

Features

CFR 25

- **Ring-Lok™ access** to the 25 sq.ft. filter element for “tool-free” servicing. Built-in stops eliminate over-tightening.
- **Other applications** include Marine Aquarium Filtration, Industrial Tank Filtration.

CFR 50

- **Ring-Lok™ access** to filter element for “tool-free” servicing. Built-in stops eliminate over-tightening.
- **Automatic air bleed** assures 100% filtration and longer filter cycles.
- **Safety tab lock** assures proper installation and safe operation.
- **Patented sediment catcher** prevents debris from falling into the tank when the element is removed.
- **Coreless Reemay® elements** allow easy cleaning from inside-out with a garden hose.
- **One-piece body with 2" threaded connections** is injection-molded from corrosion resistant, glass-filled thermoplastic.
- **2" drain** to assure easy draining and winterizing.
- **Unique low profile** enables installation in half the vertical space of most filters.



CFR25 Filter

CFR50 Filter

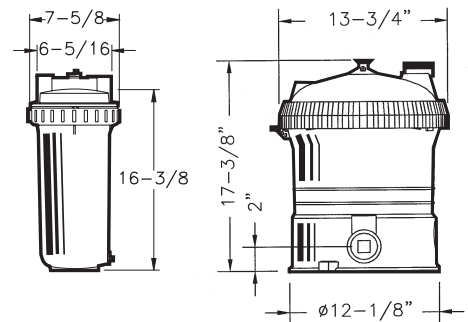


Performance

Model No.	Filter Area (ft ²)	Commercial Flow Rate (GPM)	Residential Flow Rate (GPM)	Total Gallons Circulated			
				6 Hours		8 Hours	
				Comm.	Resid.	Comm.	Resid.
CFR25	25	N/A	25	N/A	9,000	N/A	12,000
CFR50	50	18.75	50	6,750	18,000	9,000	24,000

Note: .375 gpm/sq.ft. based on NSF standards for commercial pool or spa applications.
 1.0 gpm/sq.ft. based on NSF standards for residential pool applications.

Dimensions



CFR25

CFR50

26" clearance required.

Ordering Information

Model No.	Ordering No.	Description	Wt.
CFR-25, THD	9422-2429	25 sq.ft. Element Filter w/ 1-1/2" threaded connections	7
CFR-25S, Slip	9422-2437	25 sq.ft. Element Filter w/ 1-1/2" slip connections	7
CFR-50	9422-2528	50 sq.ft. Element Filter w/ 2" threaded connections	18

Note: For parts, see pages 93 & 95.